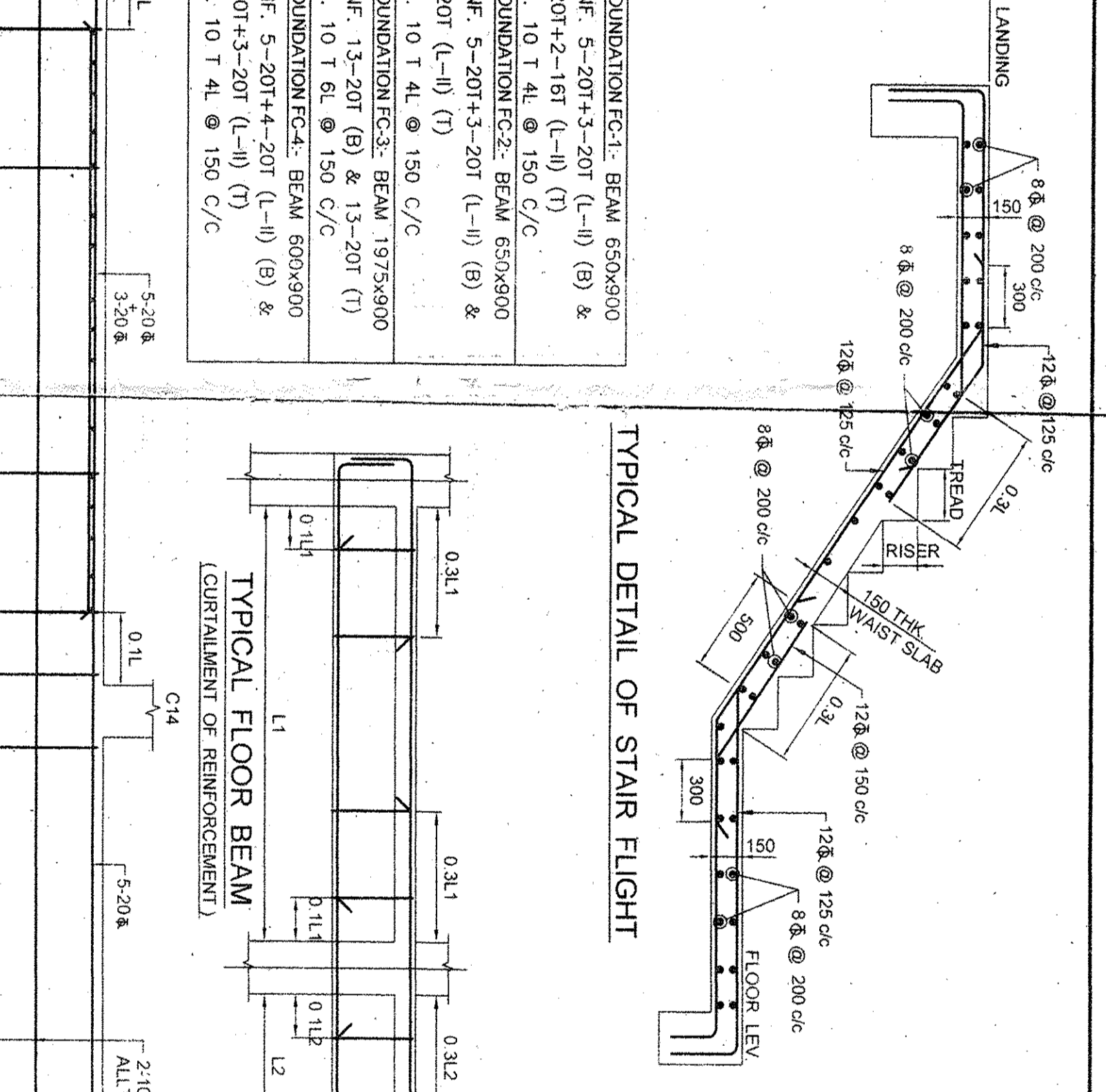


SCHEDULE OF COLUMN

LEVEL	COL. MKD	SECTION	REINFORCEMENT
FOURTH FLOOR	M-20	M-20	12-16 ϕ
THIRD FLOOR	M-20	M-20	12-16 ϕ
SECOND FLOOR	M-20	M-20	12-16 ϕ
FIRST FLOOR	M-20	M-20	12-16 ϕ
GROUND FLOOR	M-20	M-20	12-16 ϕ
FOUNDATION	M-20	M-20	12-16 ϕ

SCHEDULE OF FOOTINGS

FOOTING MKD	A X B X D	SHORT DIR.	LONG DIR.	REINFORCEMENT
F1	2150x2150x400/200	12 T @ 150 c/c	12 T @ 150 c/c	12 T @ 150 c/c
F2	2800x2800x500/250	12 T @ 150 c/c	12 T @ 150 c/c	12 T @ 150 c/c
F3	2000x3400x600/250	12 T @ 100 c/c	12 T @ 100 c/c	12 T @ 100 c/c
F4	2850x2850x550/250	12 T @ 125 c/c	12 T @ 125 c/c	12 T @ 125 c/c
F5	2900x3400x600/250	12 T @ 100 c/c	12 T @ 100 c/c	12 T @ 100 c/c
F6	3000x3800x700/250	12 T @ 100 c/c	12 T @ 100 c/c	12 T @ 100 c/c
F7	3000x3300x600/250	12 T @ 100 c/c	12 T @ 100 c/c	12 T @ 100 c/c
F8	3500x6000x500/250	12 T @ 125 c/c	12 T @ 200 c/c	12 T @ 125 c/c
F9	4000x6000x600/250	12 T @ 200 c/c	12 T @ 200 c/c	12 T @ 200 c/c
F10	4000x6000x400/200	12 T @ 200 c/c	12 T @ 200 c/c	12 T @ 200 c/c
F11	6600x10500x800	12 T @ 100 c/c	12 T @ 200 c/c	12 T @ 100 c/c

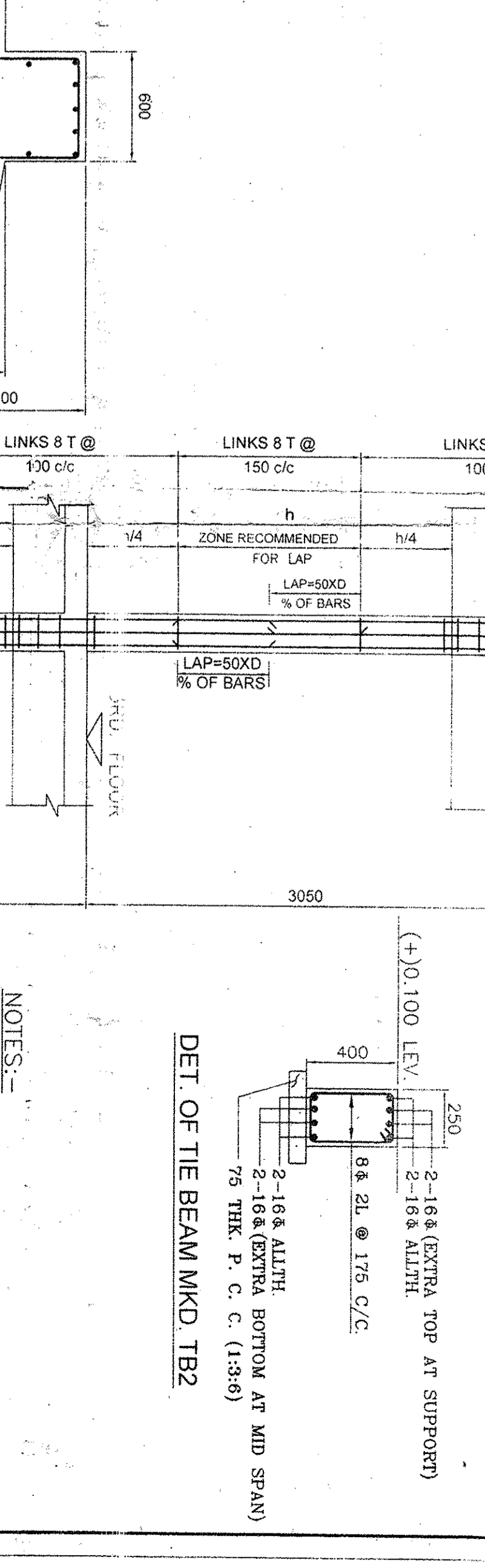
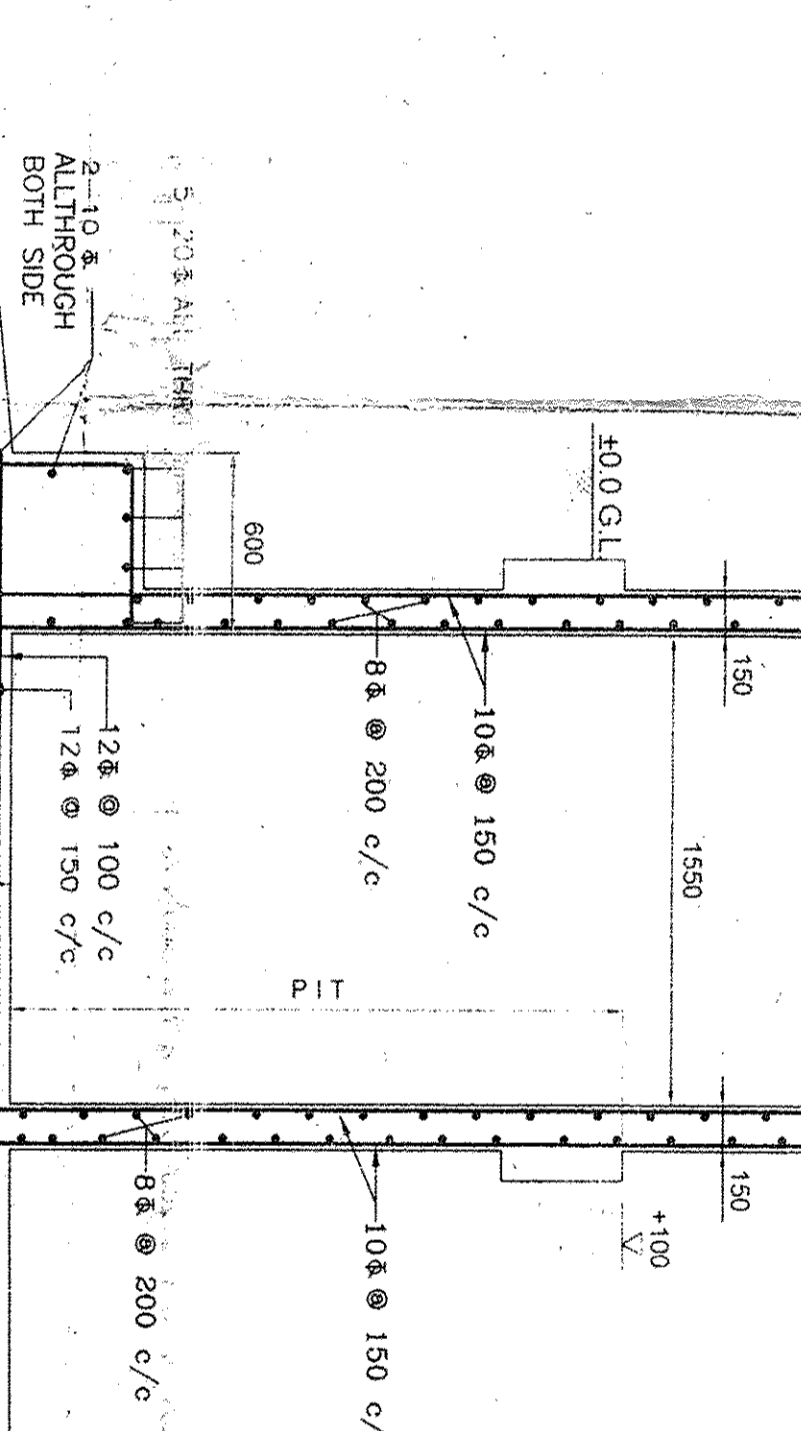


SCHEDULE OF BEAMS

BEAM MKD	BEAM SIZE	END SUPPT	MID SUPPT	CANT. END	REINFORCEMENT	REMARKS
B-1	250 X 500	3-20T	2-20T	2-20T	3-20T @ 150 c/c	
B-2	250 X 500	2-16T	2-20T	2-20T	3-20T @ 150 c/c	
B-3	250 X 500	3-20T	2-20T	2-20T	3-20T @ 150 c/c	
B-4	250 X 450	2-16T	2-16T	2-16T	3-20T @ 150 c/c	
B-5	250 X 650	3-20T	2-20T	2-20T	3-20T @ 150 c/c	
B-6	250 X 500	3-20T	2-20T	2-20T	3-20T @ 150 c/c	
B-7	250 X 500	2-16T	2-20T	2-20T	3-20T @ 150 c/c	
B-8	250 X 500	2-20T	2-20T	2-20T	3-20T @ 150 c/c	
LB	250 X 500	3-20T	2-20T	2-20T	3-20T @ 150 c/c	

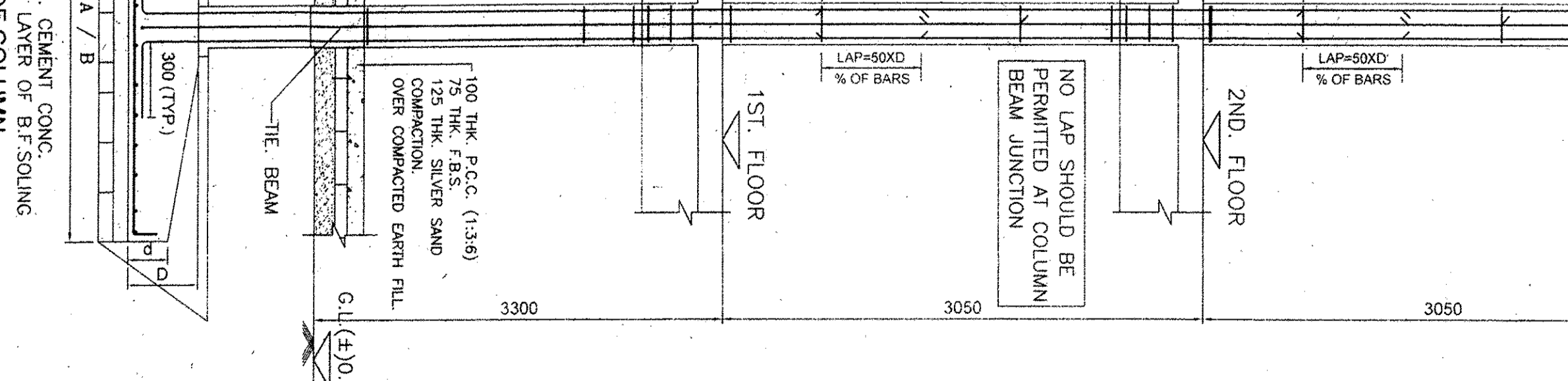
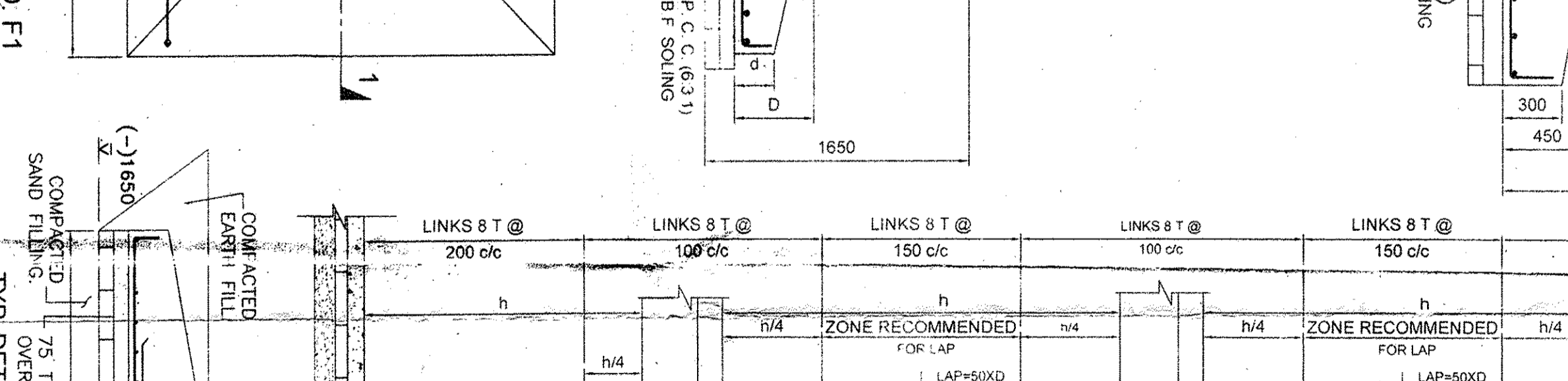
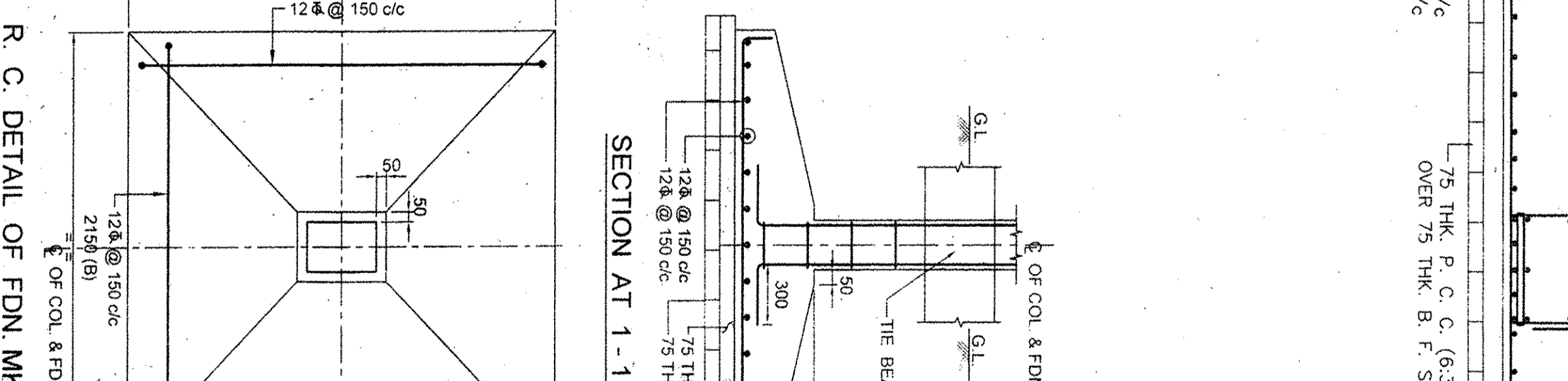
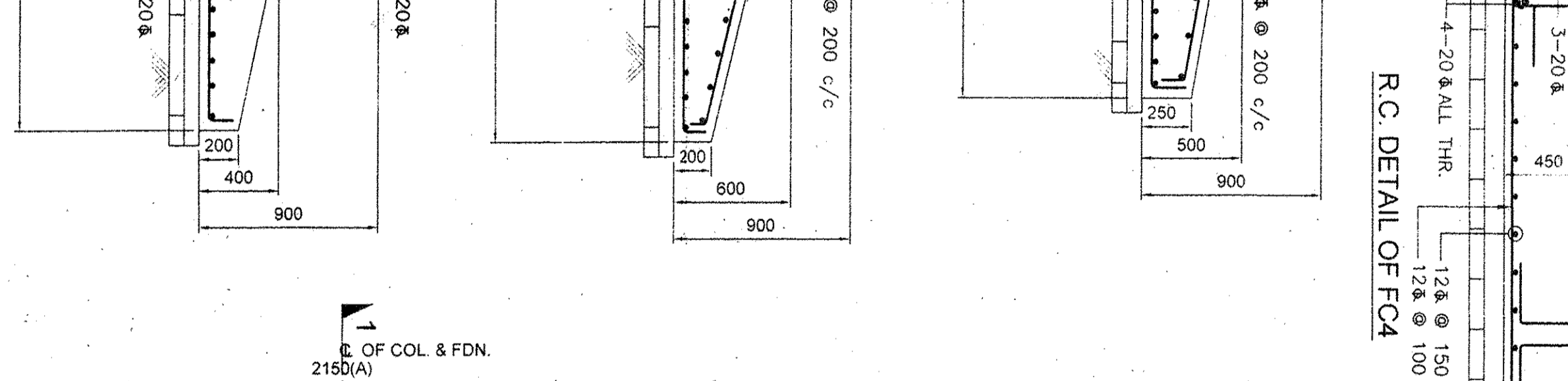
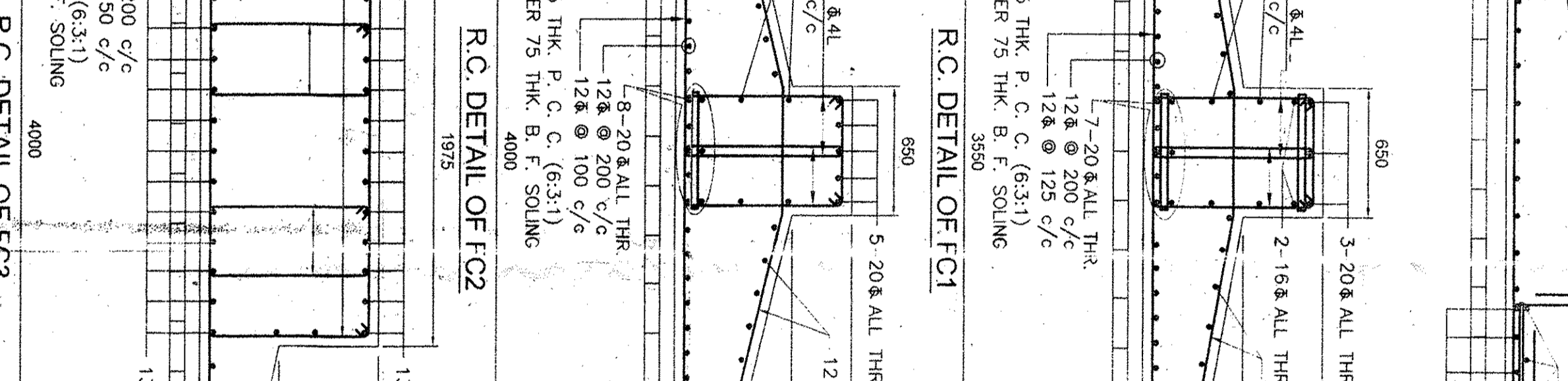
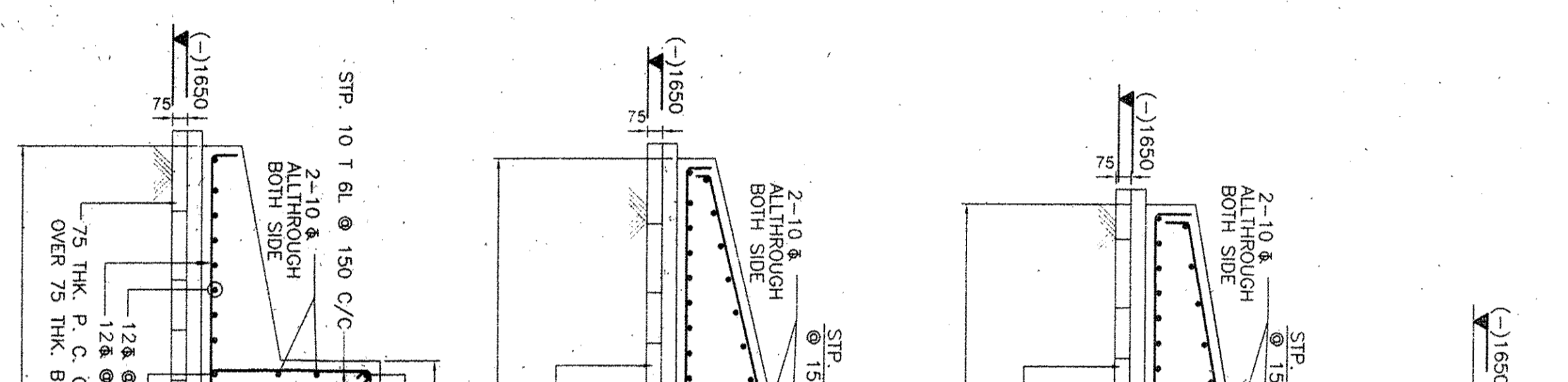
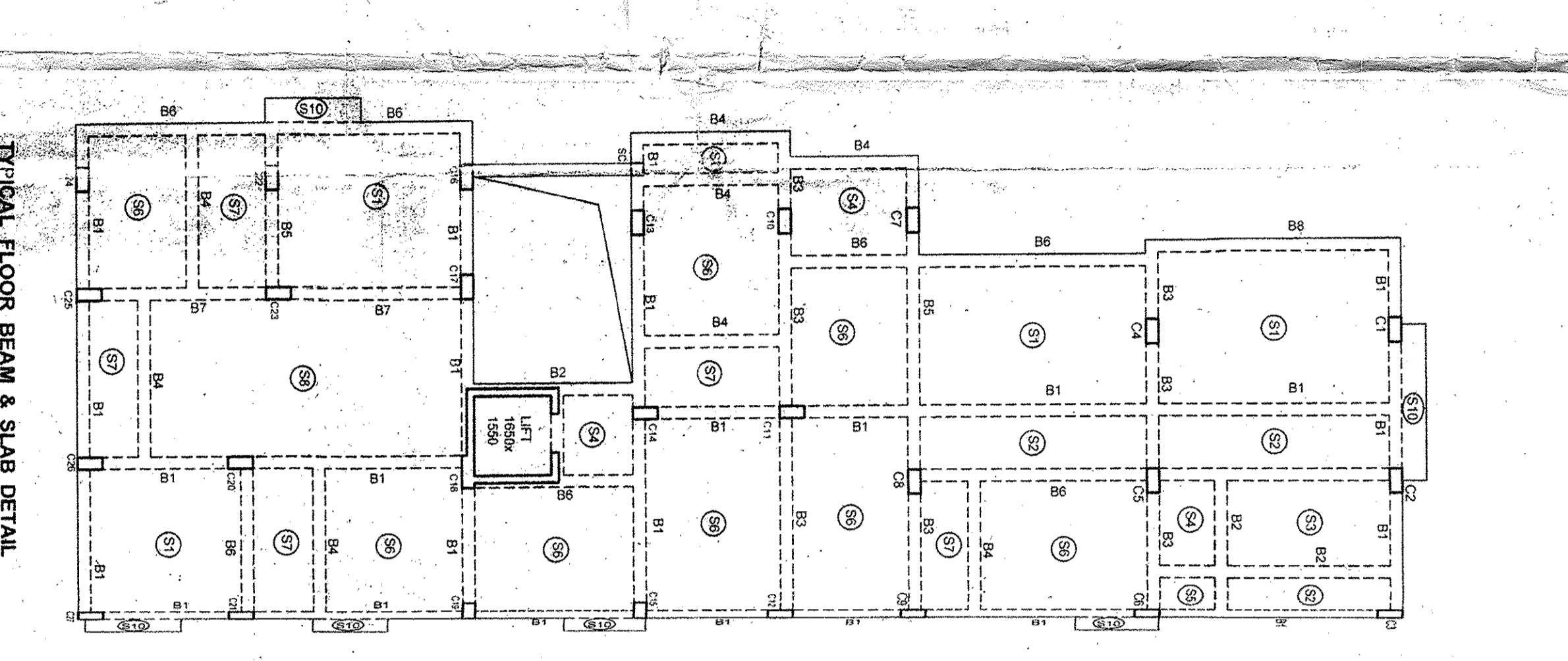
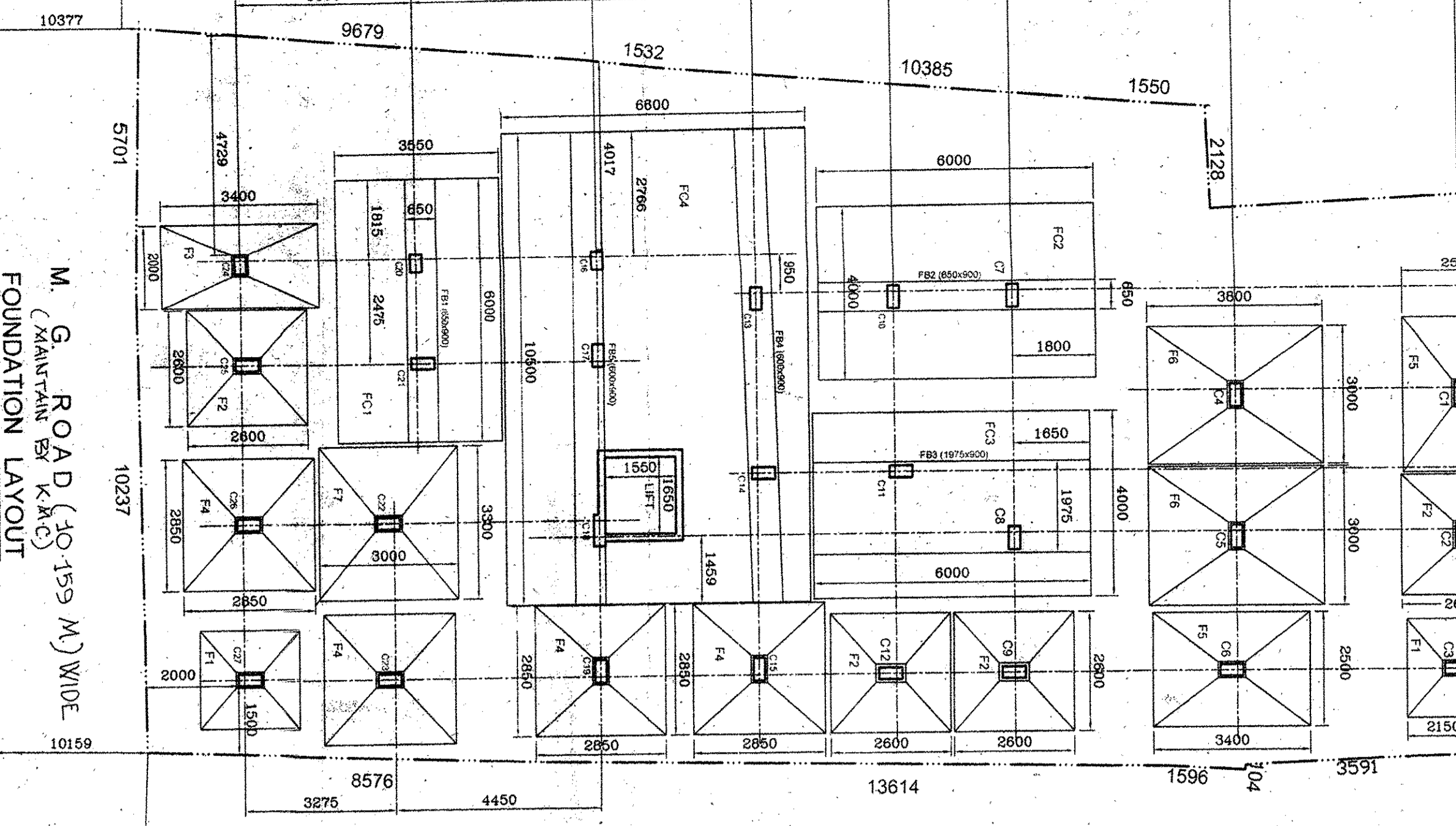
SCHEDULE OF SLABS

SLAB MKD	THICKNESS	SUPPORT DIR.	MID SPAN	REINFORCEMENT	DISTRIBUTION
S-1	115	8 T @ 150 c/c	8 T @ 175 c/c	8 T @ 200 c/c	8 T @ 300 c/c
S-2	100	8 T @ 150 c/c	8 T @ 200 c/c	8 T @ 225 c/c	8 T @ 300 c/c
S-3	100	8 T @ 150 c/c	8 T @ 175 c/c	8 T @ 200 c/c	8 T @ 300 c/c
S-4	100	8 T @ 175 c/c	8 T @ 200 c/c	8 T @ 225 c/c	8 T @ 300 c/c
S-5	100	8 T @ 200 c/c	8 T @ 175 c/c	8 T @ 200 c/c	8 T @ 300 c/c
S-6	115	8 T @ 150 c/c	8 T @ 175 c/c	8 T @ 200 c/c	8 T @ 300 c/c
S-7	100	8 T @ 175 c/c	8 T @ 200 c/c	8 T @ 225 c/c	8 T @ 300 c/c
S-8	125	8 T @ 125 c/c	8 T @ 150 c/c	8 T @ 200 c/c	8 T @ 300 c/c
S-9	125	8 T @ 150 c/c	8 T @ 150 c/c	8 T @ 200 c/c	8 T @ 300 c/c
S-10	125	10 T @ 150 c/c	10 T @ 300 c/c	8 T @ 200 c/c	8 T @ 300 c/c



NOTES:-

- ALL DIMENSIONS ARE IN MM UNLESS NOTED OTHERWISE.
- ARCHITECTURAL DRAWING.
- CLEAR COVER TO MAIN REINF. SHOULD BE AS FOLLOWS
COL. = 40 MM, BEAM = 25 MM.
- REINFORCEMENT GRADE: FE-415 CONFORMING TO IS 1786-1978.
- UNLESS OTHERWISE SPECIFIED CONCRETE MIX SHALL BE M20.
- PROPER VIBRATING AND CURING SHOULD BE DONE DURING AND AFTER CASTING RESPECTIVELY.



CERTIFICATE OF STRUCTURAL ENGINEER

THIS IS TO CERTIFY THAT THE STRUCTURAL DESIGN AND DRAWINGS OF BOTH FOUNDATION AND SUPER STRUCTURE OF THE BUILDING HAS BEEN MADE BY ME OR UNDER MY SUPERVISION AND IN ACCORDANCE WITH THE SEISMIC LOAD AS PER THE NATIONAL BUILDING CODE OF INDIA AND CERTIFY THAT IT IS SAFE AND STABLE IN ALL RESPECTS.

TAJAL KANTI BANDYOPADHYAY
DIRECTOR

ANANI LUKL
ARCHITECT

SHREEPATI ENGINEERING PVT. LTD.
DIRECTOR

ANANI LUKL
ARCHITECT

PROJECT: SUPPLEMENTARY PLAN FOR CHV STORED (H-155M) RESIDENTIAL BUILDING AT PREM. NO-168, MAHATMA GANDHI ROAD, KOLKATA - 700 082, WARD NO - 115, BR - XII, P.S - THAKURPUKUR AS SANCTIONED W/E B.S. PLAN NO - 201310485 DATED 31/01/2017

Job No.: 57/2/01
Date: 18/04/2016
Scale: 1/100/25

TAJAL KANTI BANDYOPADHYAY
DIRECTOR

ANANI LUKL
ARCHITECT

THE KOKSATA MUNICIPAL CORPORATION
THE CITY MANAGER'S OFFICE
Attention: City Engineer
Box No. 206, Koksoak, Alaska 99571
Phone: (907) 424-4441
Fax: (907) 424-4441
Provisional under Section 890 of the Code
Act 1989
Executive Engineer (a)
W. H. Hatcher (S)

PARTY'S COPY

RESIDENTIAL BUILDING

Necessary steps should be taken to protect the safety of the adjoining public and private properties during construction.

USE WHICH WOULD BE IN VIOLATION

THE SANCTION IS VALID UP TO 10/15/2016

Structural plan and design calculation as submitted by P. H. Hatcher, dated 10/15/2016, for record of the Koksoak Municipal Corporation without verification No. 10/15/2016. The submitted structural plan should be made at the time of erection without construction. The necessary steps should be taken for the safety of the adjoining premises public and private properties and safety of human life during construction.

EXECUTIVE ENGINEER/ASST. ENGINEER
BOROUGH NO. 551

